

Black Treadmill Base

95TXPS-DOMLX-2301

Parts Manual

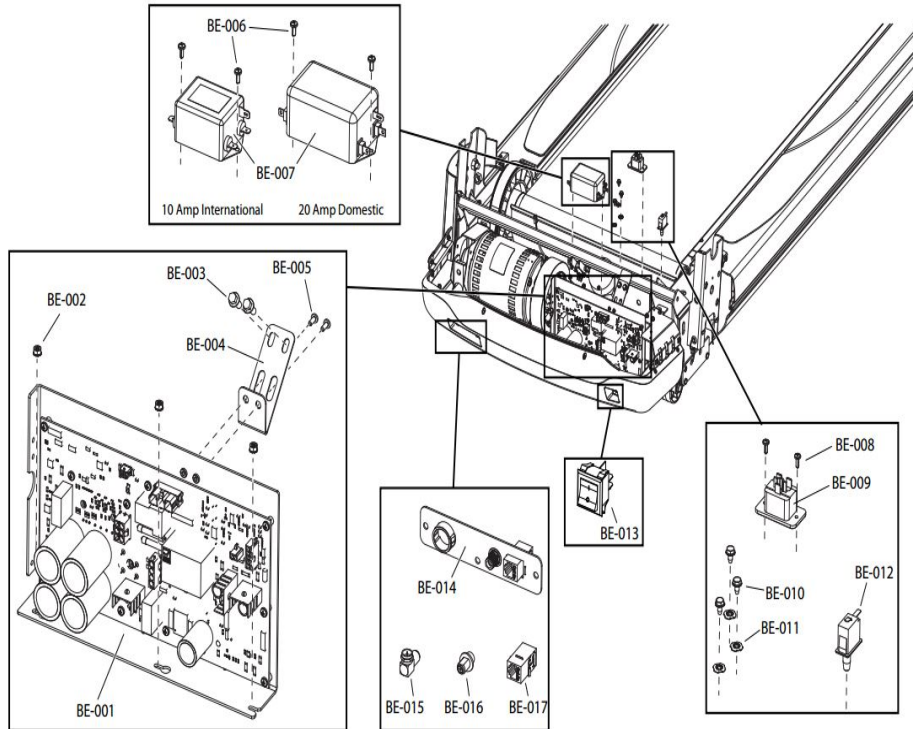
6/30/2023 20:58:12 PM

Table of Contents

Base Frame Electronics.....	3
Console Assembly, Bracket and Covers.....	4
Drive System - Drive Motor Assembly.....	5
Drive System - Idler Assembly and Drive Belt.....	6
Electric Wiring Diagrams and Cable Parts List.....	7
Heart Rate System - Ergo Bar Components.....	8
Lift System - Lift Frame and Wheels.....	9
Lift System - Lift Motor and Hardware.....	10
Lower Frame - Anti-Slip Pad, Extrusions and Rear End Caps.....	11
Lower Frame - Motor Covers, Brackets and Mounting Hardware.....	12
Lower Frame - Uprights and Covers.....	13
Miscellaneous.....	14
Stride (Walking) System - Belt, Deck and Rollers.....	16
Stride (Walking) System - Deck Springs, Stride Sensor, Roller Guards, Leg Leveler Assembly.....	17
Upper Frame - Bridge Cover and Activity Zone.....	18
Upper Frame - Handrail and Covers.....	19

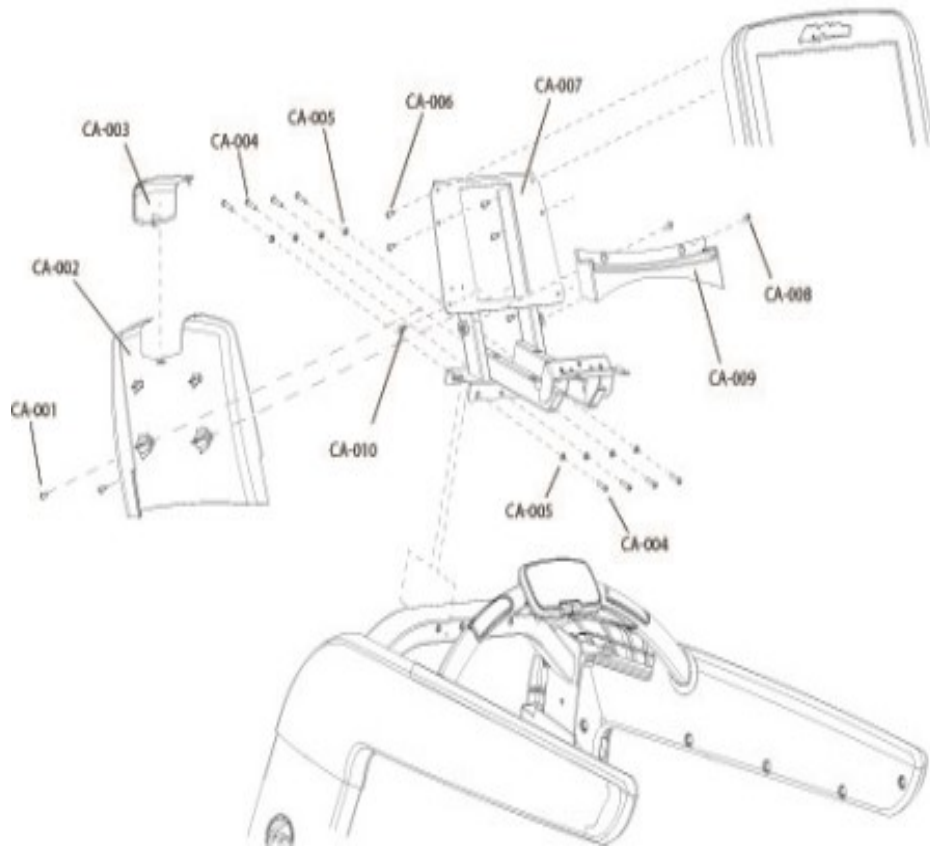
Base Frame Electronics

Base Frame Electronics



Ref #	Part Number	Qty	Description
BE-001	AK98-00001-0001	1	ASSEMBLY: PMC CONTROLLER; TREADMILL 120V
BE-002	0017-00103-0350	3	NUT: M5 X 0.8, HEX, KEPS
BE-003	0017-00101-1960	2	M6 X1.00-6G6GX 16 DIN UNS HW TT ST ZN
BE-004	0K65-01214-0001	1	BRACE: DSP CONTROLLER
BE-005	0017-00101-1878	2	M 4X0.70-6g6gX 10 ISO PHL PAN MS ST ZN B
BE-006	0017-00101-1968	2	SCREW: M4 X 0.7 X 10, PHL, PAN, TT, ST, ZS
BE-007	0017-00003-1015	1	FILTER: LINE, 20A, 250VAC
BE-008	0017-00101-1969	2	SCREW: M3.5 X 0.6 X 10 MM, PHL, PAN, TT, ST, ZS
BE-009	0017-00003-0949	1	RECEPTACLE: IEC, SIDE, FLANGE
BE-010	0017-00101-0883	3	SCREW: 10 X 6, UNS, HW, L, B, ST, GR
BE-011	0017-00104-0460	3	WASHER: 0.172 X 0.562 X 0.025, LOCK, DS-D, ST, ZN, B
BE-012	0017-00032-0195	1	SWITCH: MOMENTARY ACTION
BE-013	0017-00032-0198	1	SWITCH: POWER, DPST ROCKER
BE-014	AK65-00082-0000	1	ASSY: COMM PORT PLATE
BE-015	0017-00021-2810	1	F-Type Right Angle Adaptor
BE-016	0017-00021-2846	1	CONNECTOR: COAX, PANEL MOUNT
BE-017	0017-00021-3195	1	COUPLER: CAT5E, SHIELDED, RJ45

Console Assembly, Bracket and Covers

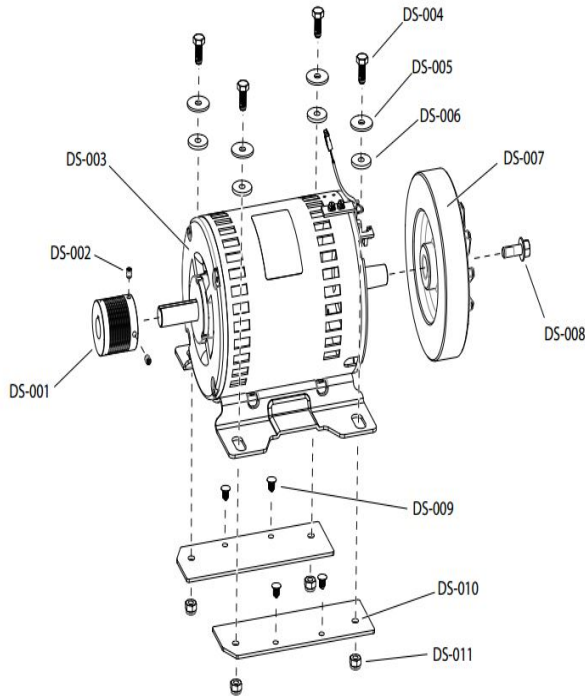


Ref #	Part Number	Qty	Description
CA-001,CA-008	0017-00101-1953	4	VMI M6 X1.00-6G6GX 14 DIN HEX BUT BLT ST BZ
CA-002	AK65-00090-2400	1	ASSY: CONSOLE NECK BACK; CHGR
CA-003	OK65-01189-2400	1	COVER: LCD ACCESS; CHGR
CA-004	0017-00101-2022	8	M6 X 1.00 - 6G6G X 25 HEX BUT L MS ST ZB
CA-005	0017-00104-0488	8	WSH: M6.50X 11.5 X 1.75 DIN SL ST BZ
CA-006	0017-00101-1995	4	Hardware: Console Mounting Screw 10MM
CA-007	AK65-00130-0000	1	WELDMENT: CONSOLE W/ AVK
CA-009	OK65-01188-2400	1	SPACER: CONSOLE NECK; CHGR
CA-010	0017-00101-2108	2	SCR: M5X0.80X14MM SEMS PHL PHMS ST BZ

Drive System - Drive Motor Assembly

Drive System

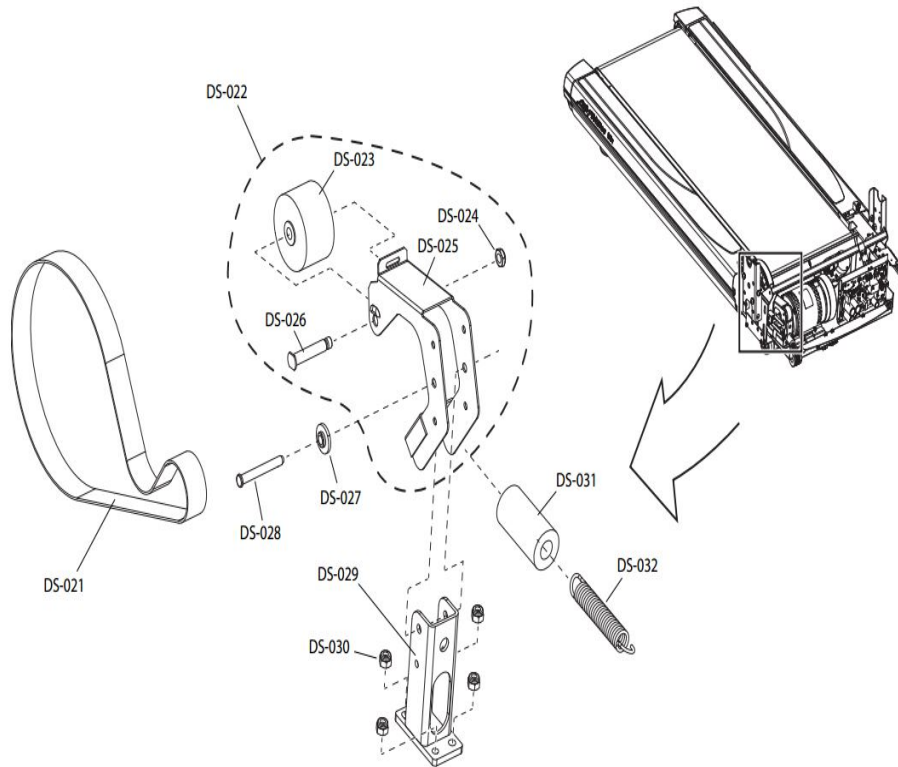
Drive Motor Assembly



Ref #	Part Number	Qty	Description
DS-001	0K58-01057-0001	1	PULLEY: POLY-V; 1.971 IN. O.D. C
DS-002	0017-00101-0333	1	SCREW: 1/4-20 X 5, HXS, NO, CUP, ST, BO
DS-003	0K58-01386-0004	1	MOTOR: MAIN DRIVE, 230V/50HZ, W/TAPER
DS-004	0017-00101-1945	4	M8X1.25 -6G6GX20MM DIN UNS HEX CS ST ZN
DS-005	0017-00104-0409	4	WASHER: 0.327 X 1.125 X 0.090, FL, D, ST, BZ
DS-006	0K58-01255-0000	4	WASHER: INSULATING
DS-007	0K65-01221-0000	1	FLYWHEEL:CAST IRON; WITH INTEGRAL FAN
DS-008	0017-00101-1885	1	SCREW: 3/8-16 X 16, UNS, HXW, L, BLT, G5, ZN
DS-009	0017-00042-1212	4	RIVET: REMOVABLE; FASTNER
DS-010	0K58-01256-0001	1	PAD: INSULATING
DS-011	0017-00103-0333	4	NUT: M8 X 1.25-6H6H, DIN, LOCKING, ST, ZN

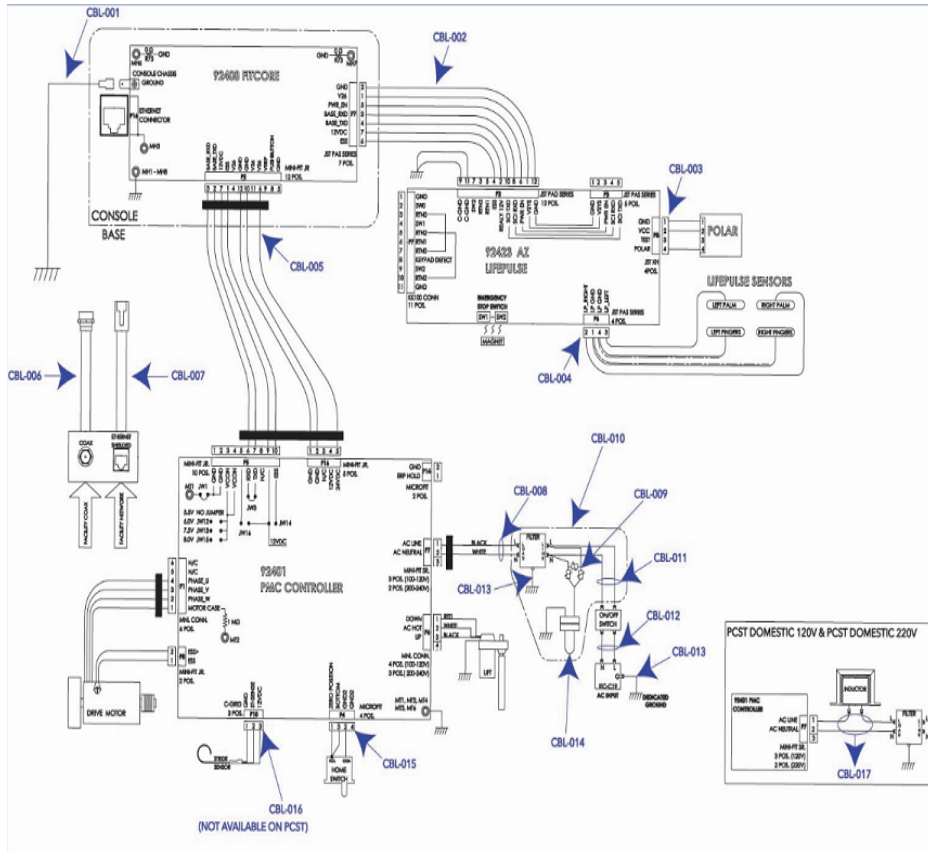
Drive System - Idler Assembly and Drive Belt

Idler Assembly and Drive Belt



Ref #	Part Number	Qty	Description
DS-021	0K58-01114-0000	1	BELT: POLY-V; 370J12
DS-022	AK65-00029-0000	1	ASSY: IDLER LEVER
DS-023	0K26-01731-0000	1	IDLER: 2 5/8; O.D.; PLASTIC C
DS-024	0017-00103-0324	1	NUT 3/8 -16 LOCK; THIN D ST BZ B
DS-025	0K65-01113-0000	1	BRKT: IDLER
DS-026	0K58-01084-0002	1	SHAFT: THREADED B
DS-027	0K58-01255-0000	1	WASHER: INSULATING
DS-028	0017-00007-0248	1	PIN:.310X34 BALL LKNG ST ZN B
DS-029	AK65-00145-0000	1	BRKT: IDLER SUPPORT
DS-030	0017-00103-0333	4	NUT: M8 X 1.25-6H6H, DIN, LOCKING, ST, ZN
DS-031	0K26-02055-0000	1	DAMPER: IDLER SPRING B
DS-032	0K58-01085-0000	1	SPRING: EXTENSION

Electric Wiring Diagrams and Cable Parts List

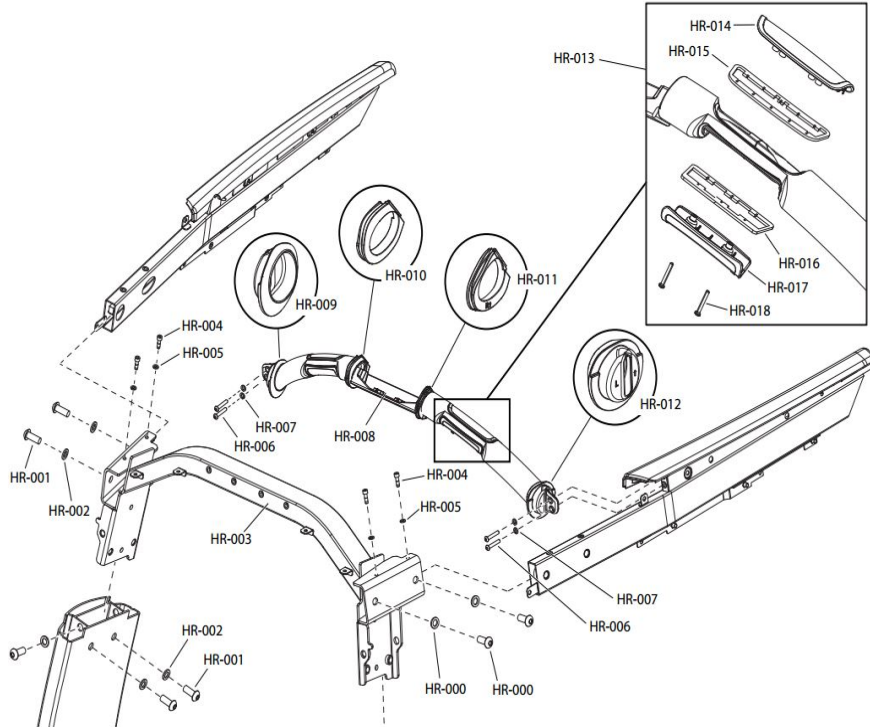


Ref #	Part Number	Qty	Description
CBL-001	AK65-00103-0002	1	CBL ASSY: GROUND, ESD
CBL-002	0K99-01032-0000	1	CABLE: LIFE PULSE TO FITCORE - TREAD
CBL-003	AK92-00019-0000	1	CABLE ASSY, MIB POLAR TO POLAR RECEIVER
CBL-004	0K99-01031-0000	1	CABLE: LIFE PULSE TO ELECTRODES
CBL-005	0K99-01047-0000	1	CABLE: ELEVATION TREADMILL FITCORE - DSP
CBL-006	AK65-00062-0000	1	CABLE ASSY: COAX, RG6
CBL-007	AK70-00092-0000	1	CABLE ASSY: CAT5E, V2, 84 INCH
CBL-008	0K99-01051-0000	1	CABLE: POWER, 100-120V
CBL-009	AK58-00224-0001	1	CABLE ASSY: MOV, FILTER
CBL-010	AK92-00075-0000	1	CABLE ASSY: AC FILTER, TREADMILL, MFG.
CBL-011	AK65-00095-0001	1	CBL ASSY: FILTER TO SWITCH
CBL-012	AK92-00040-0000	1	CABLE ASSY: AC POWER INPUT
CBL-013	AK26-00348-0001	2	CBL-ASSY: JMPR;OUTLET/GRND B
CBL-014	AK58-00263-0000	1	CABLE ASSY: HI-POT, JUMPER
CBL-015	AK65-00074-0000	1	CABLE ASSY: ZERO HOME SWITCH
CBL-016	AK58-00560-0000	1	SENSOR: STRIDE ASSEMBLY, UNIT

Heart Rate System - Ergo Bar Components

Heart Rate System

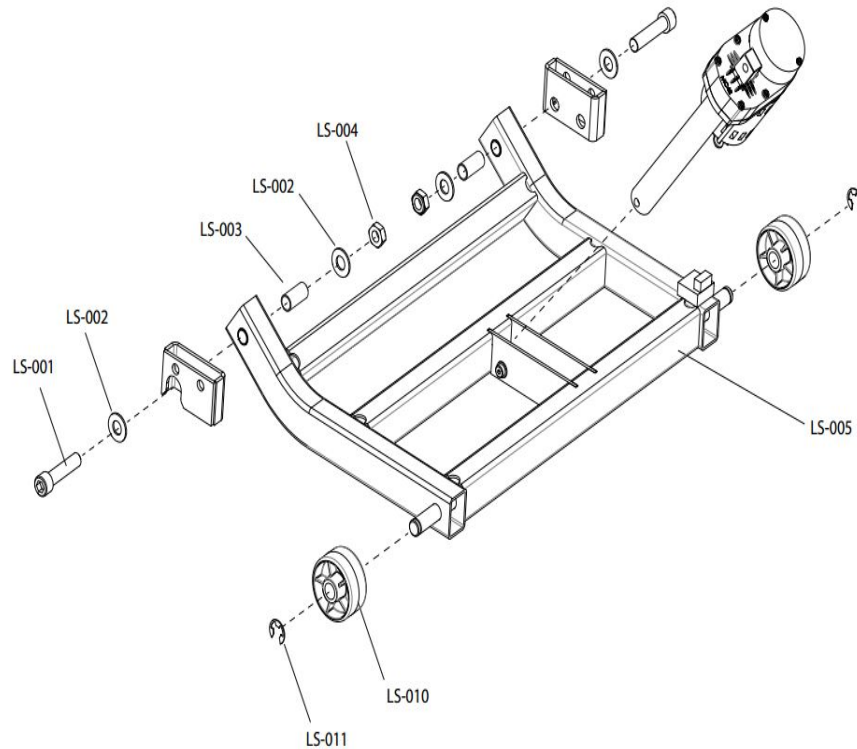
Ergo Bar Components



Ref #	Part Number	Qty	Description
HR-001	0017-00101-2110	10	M12X1.75X30 DIN HXS BUT CS ST ZB
HR-002	0017-00104-0489	10	WSH: M12.5 X20.75 X 2.50 DIN SL SS NO
HR-003	AK65-00129-0000	1	WELDMENT: BRIDGE W/ AVK
HR-004	0017-00101-1902	4	SCREW: M6 X 1.00 6G6G X 20, DIN, HEX, SOC, CS, ST, ZB
HR-005,HR-007	0017-00104-0488	8	WSH: M6.50X 11.5 X 1.75 DIN SL ST BZ
HR-006	0017-00101-1954	4	M6 X1.00-6G6GX 35 DIN HEX BUT BLT ST BZ
HR-008	AK99-00006-2400	1	ASSEMBLY: ZEUS ERGOBAR, CHGR
HR-009	OK65-01203-0701	1	GASKET:ERGOBAR: HANDRAIL; RH; BLK
HR-010	OK65-01204-0702	1	GASKET:ERGOBAR;ACTIVITY ZONE; LH; BLK
HR-011	OK65-01204-0701	1	GASKET:ERGOBAR;ACTIVITY ZONE; RH; BLK
HR-012	OK65-01203-0702	1	GASKET:ERGOBAR: HANDRAIL; LH; BLK
HR-014	AK65-00016-2401	2	ASSY: ELECTRODE; HR; TOP; CHGR
HR-015	OK65-01270-0000	2	GASKET: TOP SENSOR; PURCH
HR-016	OK65-01269-0000	2	GASKET: BOTTOM SENSOR; PURCH
HR-017	AK65-00016-2402	2	ASSY: ELECTRODE; HR; BOTTOM; CHGR
HR-018	0017-00101-2054	2	SCREW: 6-19 X 16, PHL, PAN, HLS, ST, ZN

Lift System - Lift Frame and Wheels

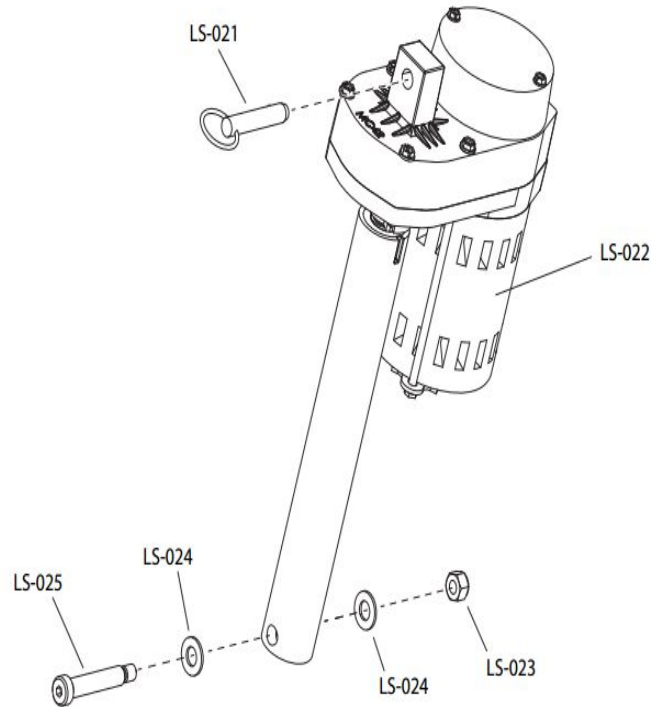
Lift Frame and Wheels



Ref #	Part Number	Qty	Description
LS-001	0017-00101-1777	2	5/8 -11X44 HEX SOC CS ST ZB B
LS-002	0017-00104-0259	4	VMI WSH 656-1.31-095 FL-D ST BZ B
LS-003	0K65-01242-0000	2	Sleeve Bushings
LS-004	0017-00103-0285	2	NUT 5/8 -11 LOCKING D ST ZN B
LS-005	AK65-00137-0000	1	WELDMENT: LIFT FRAME; PAINTED
LS-010	0K65-01245-0000	2	WHEEL: LIFT-ARM
LS-011	0017-00100-0249	2	RING: 3/4, ER, ST

Lift System - Lift Motor and Hardware

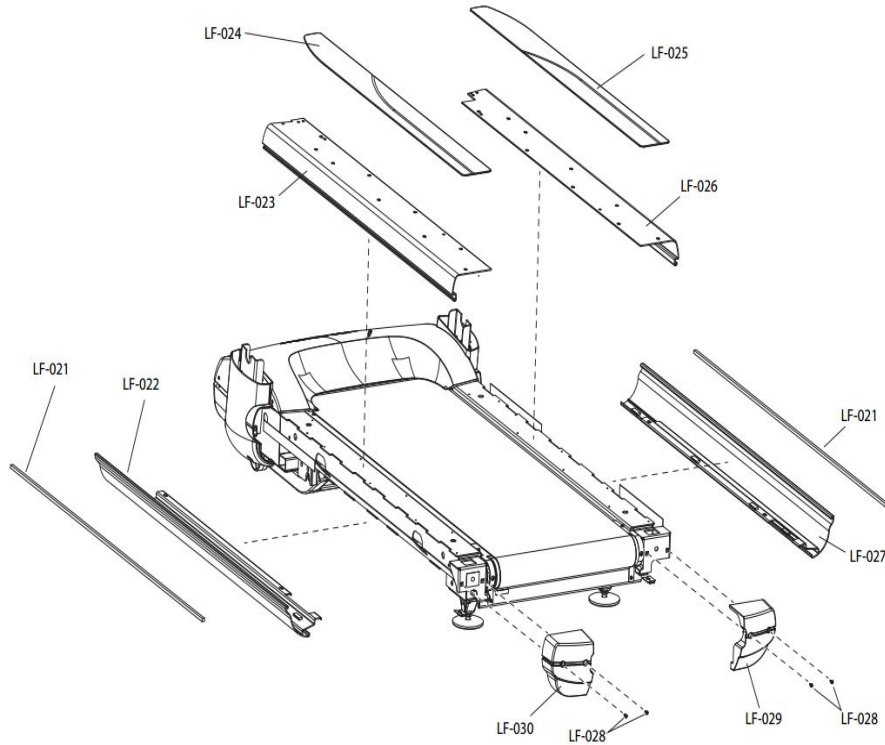
Lift Motor and Hardware



Ref #	Part Number	Qty	Description
LS-021	0017-00007-0275	1	PIN: .25 X .375 RING GRIP
LS-022	OK65-01192-0001	1	ACTUATOR: LINEAR (115VAC NOM.)
LS-023	0017-00103-0027	1	NUT: 5/16-18, LOCKING, D, ST, ZN
LS-024	0017-00104-0043	2	WSH 375-.734-065 FL-D ST ZN B
LS-025	0017-00101-2038	1	5/16-18X32 HXS SOC SHL ST BO

Lower Frame - Anti-Slip Pad, Extrusions and Rear End Caps

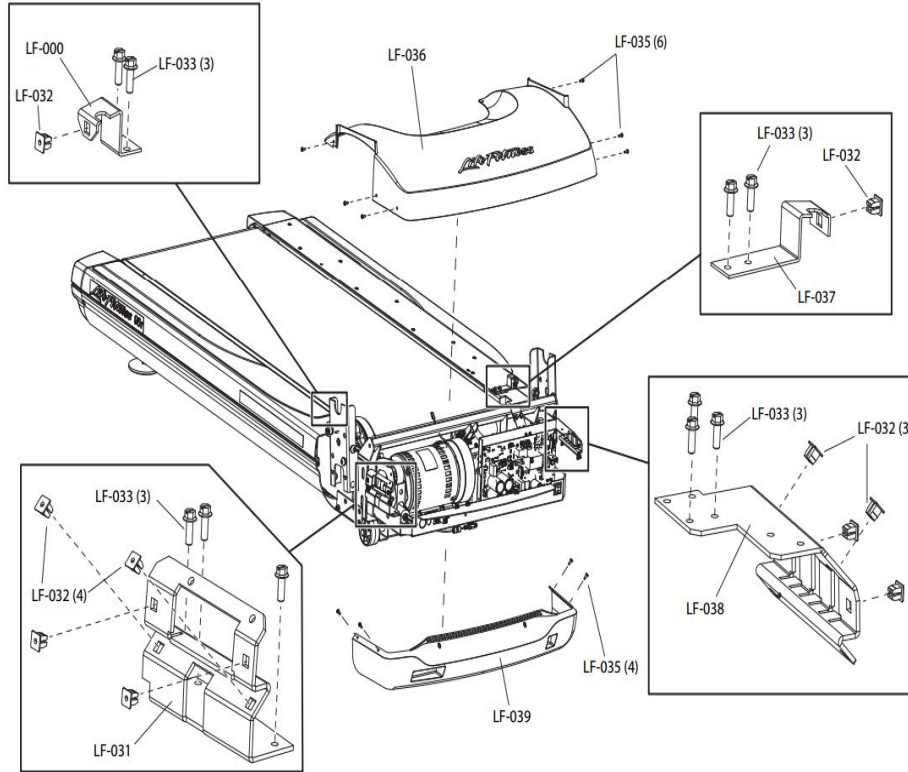
Anti-Slip Pad, Extrusions and Rear End Caps



Ref #	Part Number	Qty	Description
LF-021	0K65-01354-0000	2	SPACER: LOWER EXTRUSION
LF-022	AK65-00093-2304	1	
LF-023	AK65-00076-2304	1	ASSY: EXTRUSION; LT; MTBK
LF-026	AK65-00076-2303	1	ASSY: EXTRUSION; RT; MTBK
LF-027	AK65-00093-2303	1	
LF-028	0017-00101-1776	4	SCREW: 10-16 X 8, PHL, PAN, ST, ZB
LF-029	0K65-01065-2401	1	END CAP: REAR; RH; CHGR
LF-030	0K65-01065-2402	1	END CAP: REAR; LH; CHGR
LF-041	0017-00042-1142	2	Push Rivets
LF-042	0K65-01353-0000	2	BRACKET:LOWER EXTRUSION SUPPORT
LF-043	0017-00101-2011	4	SCREW: M5 X 0.8-66G6G X 10 MM, DIN, PHL, TT, ST, ZM
LF-044	AK65-00124-0000	2	ASSY: END CAP CLIP
	0K65-01190-2403	1	RAIL: ANTI SLIP; RH
	0K65-01190-2404	1	RAIL: ANTI SLIP; LH

Lower Frame - Motor Covers, Brackets and Mounting Hardware

Motor Covers, Brackets and Mounting Hardware

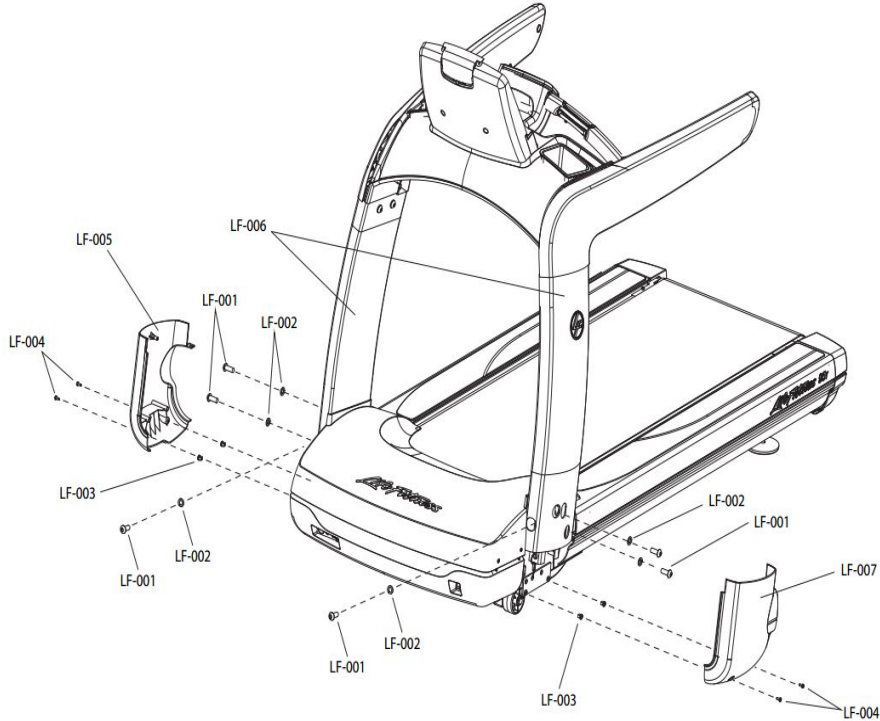


Ref #	Part Number	Qty	Description
LF-031	0K65-01134-0001	1	BRACKET MOTOR COVER RH FRONT
LF-032	0017-00042-1147	4	GROMMET: SCREW, 8 OR 10
LF-033	0017-00101-1961	3	SCREW: M5 X 0.8 X 16, SLT, HXF, TT, ST, ZS
LF-034	0K65-01135-0001	1	BRKT: MOTOR COVER; RH; REAR
LF-035	0017-00101-1776	6	SCREW: 10-16 X 8, PHL, PAN, ST, ZB
LF-036	0K65-01125-2400	1	COVER: MOTOR; SHROUD; TOP; CHGR
LF-037	0K65-01135-0002	1	BRKT: MOTOR COVER; REAR; LH
LF-038	0K65-01134-0002	1	BRKT: MOTOR COVER; LH; FRONT
LF-039	0K65-01126-2401	1	COVER: MOTOR; BOTTOM; CHGR
LF-040	0K65-01297-0000	1	BRKT: LINE CORD

Lower Frame - Uprights and Covers

Lower Frame

Uprights and Covers



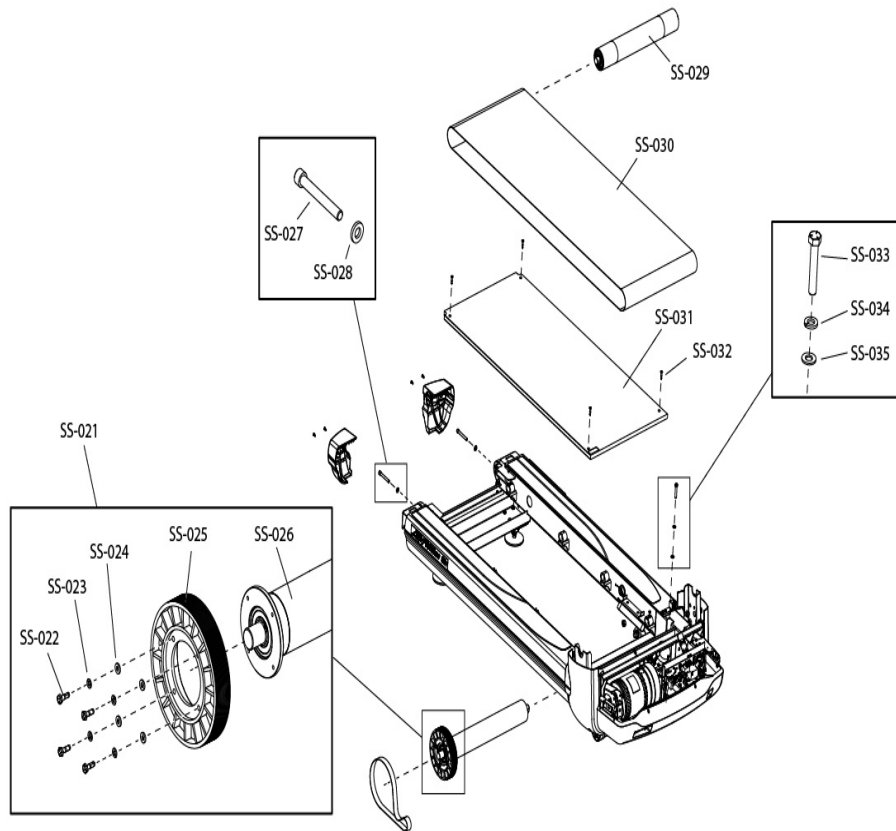
Ref #	Part Number	Qty	Description
LF-001	0017-00101-1984	6	M12x1.75-6G6Gx30 DIN HEX BUT CS G5 ZN
LF-002	0017-00104-0489	6	WSH: M12.5 X20.75 X 2.50 DIN SL SS NO
LF-003	0017-00042-0326	4	GROMMET: 0.13/0.005, S/C #13-B, PLASTIC
LF-004	0017-00101-1776	4	SCREW: 10-16 X 8, PHL, PAN, ST, ZB
LF-005	0K65-01127-2401	1	COVER: UPRIGHT; RH; CHGR
LF-006	AK65-00069-2300	1	ASSY: UPRIGHT W/BUG AND DECALS; MTBK
LF-007	0K65-01127-2402	1	COVER: UPRIGHT; LH; CHGR

Miscellaneous

Ref #	Part Number	Qty	Description
MISC-001	0017-00021-2740	1	CSAFE Splitter
MISC-002	0017-00101-1769	2	VMI 8-18X12 PHL PAN AB ST ZB B
MISC-003	0017-00101-1902	13	SCREW: M6 X 1.00 6G6G X 20, DIN, HEX, SOC, CS, ST, ZB
MISC-004	0017-00101-1954	2	M6 X1.00-6G6GX 35 DIN HEX BUT BLT ST BZ
MISC-005	0017-00101-1984	12	M12x1.75-6G6GX30 DIN HEX BUT CS G5 ZN
MISC-006	0017-00101-1953	44	VMI M6 X1.00-6G6GX 14 DIN HEX BUT BLT ST BZ
MISC-007	0017-00101-1776	8	SCREW: 10-16 X 8, PHL, PAN, ST, ZB
MISC-008	0017-00101-2108	6	SCR: M5X0.80X14MM SEMS PHL PHMS ST BZ
MISC-009	0017-00101-2022	4	M6 X 1.00 - 6G6G X 25 HEX BUT L MS ST ZB
MISC-010	0017-00104-0488	11	WSH: M6.50X 11.5 X 1.75 DIN SL ST BZ
MISC-011	0017-00104-0489	12	WSH: M12.5 X20.75 X 2.50 DIN SL SS NO
MISC-012	0017-00008-0229	1	BLACK METALLIC AEROSOL
MISC-012	0017-00008-0231	1	CHARCOAL GRAY AEROSOL
MISC-013	0017-00008-0232	1	CHARCOAL GRAY TOUCH UP
MISC-013	0017-00008-0230	1	BLACK METALLIC TOUCH UP
MISC-014	0017-00008-0206	1	PAINT: PEN; ARCTIC SILVER B
MISC-015	0017-00003-0980	1	LINE-CORD: R/A; NEMA 5-20 144 IN. S/C-C
MISC-016	0017-00003-1065	1	LINECORD: RA 45, 120V, 20A, IEC-C19
MISC-018	0017-00003-0890	1	LINE-CORD: U.K; R/A D
MISC-019	0017-00003-0996	1	LINE-CORD: IEC; AUSTRALIAN; 230/50 C
MISC-020	0017-00003-1014	1	Line Cord China 10A 250 V

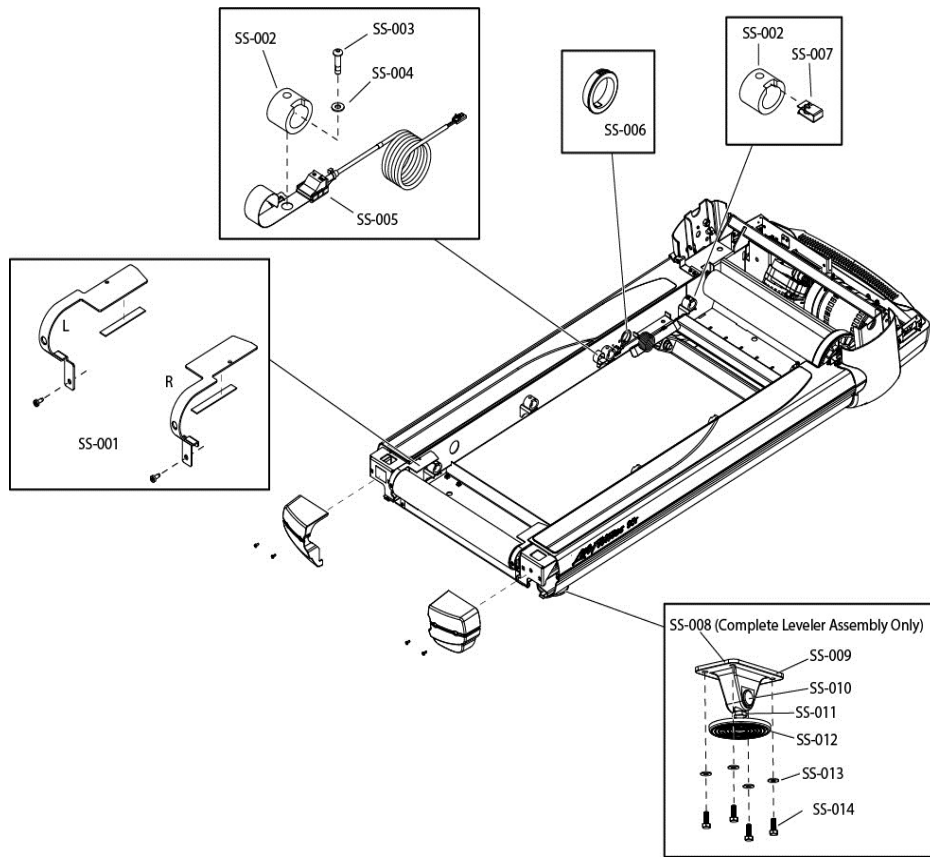
Ref #	Part Number	Qty	Description
MISC-021	0K65-01297-0000	1	BRKT: LINE CORD
MISC-022	0017-00101-1968	1	SCREW: M4 X 0.7 X 10, PHL, PAN, TT, ST, ZS
MISC-023	0017-00042-1194	8	FASTENER: DUAL LOCK; RECLOSABLE; PURCH 50 YARDS/ROLL
MISC-024	0017-00003-1079	1	LINECORD NEMA 5-15P WITH R/A C-19 CONNECTOR

Stride (Walking) System - Belt, Deck and Rollers



Ref #	Part Number	Qty	Description
SS-021	AK65-00067-0000	1	ASSY: FRONT ROLLER & PULLEY; 3.5" DIA
SS-022	0017-00101-1632	4	1/4 -20X14 HXS HEX L BLT G5 ZN B
SS-023	0017-00104-0330	4	WASHER: 0.255 X 0.562 X 0.092, FL, ST
SS-024	0017-00104-0005	4	WSH 262-.489-062 LK-D ST ZN B
SS-025	0K58-01105-0000	1	PULLEY: POLY-V; 8.000" D
SS-026	0K65-01195-0000	1	ROLLER: FRONT 3.5' DIA
SS-027	0017-00101-1880	2	SCREW: 3/8-16 X 48, HEX, SOC, CS, ST, SS
SS-028	0017-00104-0492	2	WSH: 390-750-120; FL-D; ST; BZ
SS-029	0K65-01199-0000	1	ROLLER: REAR; 3.5 IN. DIA
SS-030	0K65-01002-0000	1	BELT: WALKING NP7131 21.5" WIDE
SS-031	0K65-01263-0000	1	DECK: TREADMILL (BOXED FOR CUST SH)
SS-032	0017-00101-1775	4	SCREW: 1/4-20 X 20, HXS, FLT, L, CS, ST, ZB
SS-033	0017-00101-0974	1	3/8 -16X32 UNS HEX BLT G5 ZN B
SS-034	0017-00104-0006	1	WSH 390-.683-094 LK-D ST ZN B
SS-035	0017-00104-0043	1	WSH 375-.734-065 FL-D ST ZN B

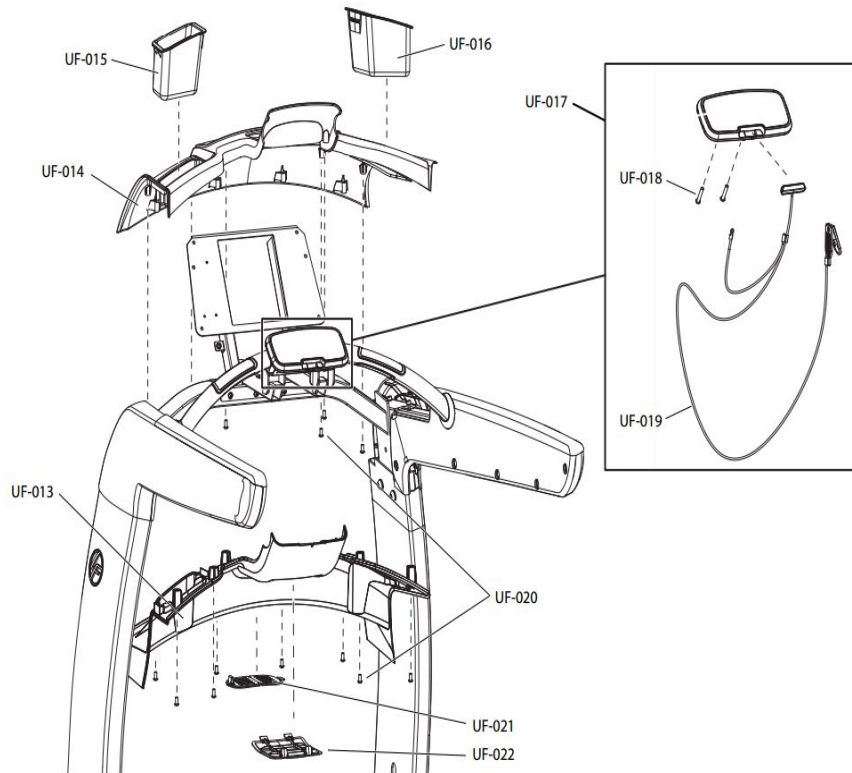
Stride (Walking) System - Deck Springs, Stride Sensor, Roller Guards, Leg Leveler Assembly



Ref #	Part Number	Qty	Description
SS-001	GK65-00002-0001	1	KIT: SERV; ROLLER GUARD; MFG
SS-002	0K40-01026-0002	8	SPRING: TECSPAK, BLACK S/C-B
SS-003	0017-00101-1652	8	SCREW: 1/4-20 X 16, HXS, BUT, L, CS, G8, BO
SS-004	0017-00104-0072	8	WASHER: 0.255 X 0.562 X 0.046, FLAT, ST, ZN
SS-005	AK58-00560-0000	1	SENSOR: STRIDE ASSEMBLY, UNIT
SS-006	0017-00042-1180	1	BUSHING: SLEEVE, SNAP
SS-007	0017-00103-0198	4	NUT: 1/4 -20, TINNERMAN, ST, ZN
SS-008	AK58-00370-0000	2	ASSEMBLY: LEG, LEVELER
SS-009	0K58-01083-0000	2	Leveler Bracket
SS-010	0K58-01098-0000	2	Hardware: Pivot Pin
SS-011	0K58-01099-0000	2	Hardware: Stop Nut
SS-012	0K58-01110-0000	2	Leveler Foot
SS-013	0017-00104-0159	8	VMI WSH 328-.750-062 FL-D ST ZN B
SS-014	0017-00101-1945	8	M8X1.25 -6G6GX20MM DIN UNS HEX CS ST ZN

Upper Frame - Bridge Cover and Activity Zone

Bridge Cover and Activity Zone



Ref #	Part Number	Qty	Description
UF-013	AK65-00086-2400	1	ASSY: BRIDGE COVER; BOTTOM; CHGR
UF-014	OK65-01051-2400	1	HOUSING: BRIDGE TOP INSERTS; CHGR
UF-015	OK65-01174-2402	1	CUPHOLDER: LT: CHGR
UF-016	OK65-01174-2401	1	CUPHOLDER: RT: CHGR
UF-017	AK99-00007-2400	1	ASSEMBLY: ACTIVITY ZONE, CHGR
UF-018	0017-00101-1954	2	M6 X1.00-6G6GX 35 DIN HEX BUT BLT ST BZ
UF-019	AK65-00037-0002	1	TETHER: STOP SWITCH & CLIP
UF-020	0017-00101-1953	10	VMI M6 X1.00-6G6GX 14 DIN HEX BUT BLT ST BZ
UF-021	OK65-01208-2400	1	DOOR: ACCESS; BRIDGE; CHGR
UF-022	OK65-01053-2400	1	DOOR: BEZEL ACCESS: CHGR

Upper Frame - Handrail and Covers

Ref #	Part Number	Qty	Description
UF-001	OK65-01225-0700	10	PLUG; GROMMET; BLK
UF-002,UF-005	0017-00101-1953	22	VMI M6 X1.00-6G6GX 14 DIN HEX BUT BLT ST BZ
UF-003	OK65-01168-2402	1	HANDRAIL;INNER SHELL; LH; CHGR
UF-004	OK65-01168-2401	1	HANDRAIL: INNER SHELL; RH; CHGR
UF-006	AK65-00077-0002	1	ASSY: HANDRAIL; LH
UF-007	AK65-00077-0001	1	ASSY: HANDRAIL; RH
UF-008	OK65-01167-2402	1	HOUSING: HANDRAIL;OUTER; LH; CHGR
UF-009	OK65-01167-2401	1	HOUSING: HANDRAIL; OUTER; RH; CHGR

